

# BALZAC

PAMIO DESIGN

Balzac, designed by Pamio Design, is an inverted bell-shaped planter made of Pietre di Marmo concrete in a sandblasted finish, and available with a hardwood bench. The planter is available in three heights.



## MATERIALS & FINISHES

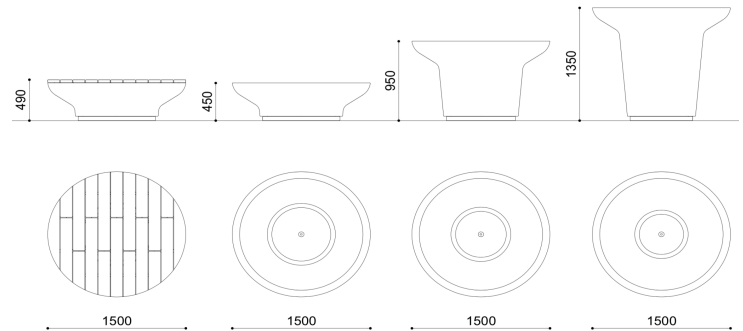
- PDM
  - Granite
  - White Marble / Black Marble
  - Sandblasted Finish
- Hardwood

## DIMENSIONS

-D=1500mm H=450mm / 950mm / 1350mm

## FOOTING

-Freestanding



id created, Inc. is a US based company with exclusive rights to distribute Metalco srl products in the US and Canada.

877.690.7755  
info@idcreated.com  
idcreated.com